

Datasheet

3 Phase Encapsulated Chassis

ENC250 Range



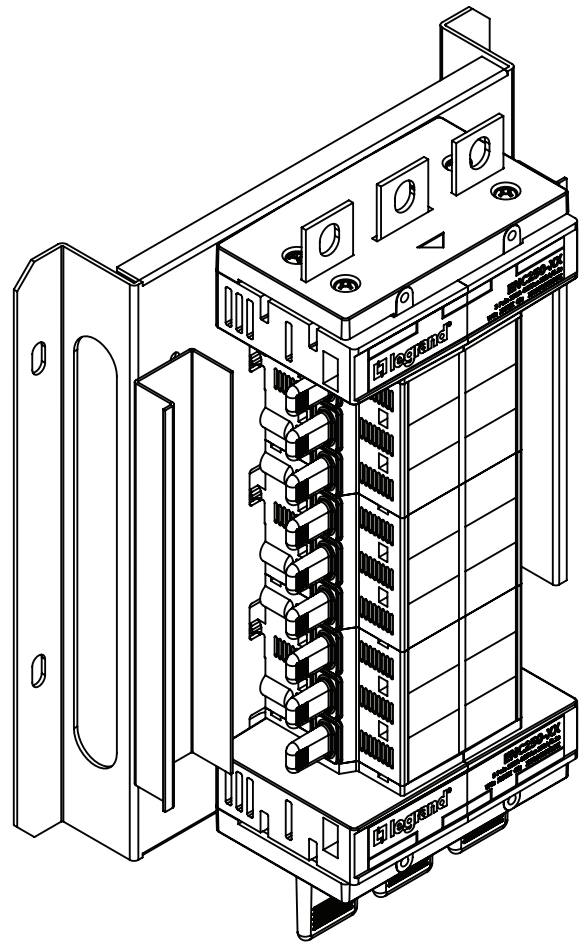
Description	Encapsulated chassis 3P 25 kA / 0.1s 250 A
Rated operational voltage (Ue)	415 V
Rated insulation voltage (Ui)	500 V
Rated impulse withstand voltage (Uimp)	6 kV
Busbar Rating	250 A
Rated short time withstand current (Icw)	16 kA / 1.0 sec
Rated conditional short circuit current (Icc)	25 kA / 0.1 sec
Pole Capacity	12P-108P
Pitch	18 mm
IP Rating	IP20
Pollution Degree	3
Material Group	IIIa
Options	Bottom feed, Top feed, Dual Feed
Compliance	AS/NZS 61439.2

3 Phase Encapsulated Chassis ENC250 Range



REFERENCE CHART

Product Range	Option	Ampere Rating (A)	No. of Poles	
3P	ENC250-12-TF	Top Feed	250	12
	ENC250-18-TF	Top Feed	250	18
	ENC250-24-TF	Top Feed	250	24
	ENC250-30-TF	Top Feed	250	30
	ENC250-36-TF	Top Feed	250	36
	ENC250-42-TF	Top Feed	250	42
	ENC250-48-TF	Top Feed	250	48
	ENC250-60-TF	Top Feed	250	60
	ENC250-72-TF	Top Feed	250	72
	ENC250-84-TF	Top Feed	250	84
	ENC250-96-TF	Top Feed	250	96
	ENC250-108-TF	Top Feed	250	108
	ENC250-12-BF	Bottom Feed	250	12
	ENC250-18-BF	Bottom Feed	250	18
	ENC250-24-BF	Bottom Feed	250	24
	ENC250-30-BF	Bottom Feed	250	30
	ENC250-36-BF	Bottom Feed	250	36
	ENC250-42-BF	Bottom Feed	250	42
	ENC250-48-BF	Bottom Feed	250	48
	ENC250-60-BF	Bottom Feed	250	60
	ENC250-72-BF	Bottom Feed	250	72
	ENC250-84-BF	Bottom Feed	250	84
	ENC250-96-BF	Bottom Feed	250	96
	ENC250-108-BF	Bottom Feed	250	108
	ENC250-12-DF	Dual Feed	250	12
	ENC250-18-DF	Dual Feed	250	18
	ENC250-24-DF	Dual Feed	250	24
	ENC250-30-DF	Dual Feed	250	30
	ENC250-36-DF	Dual Feed	250	36
	ENC250-42-DF	Dual Feed	250	42
	ENC250-48-DF	Dual Feed	250	48
	ENC250-60-DF	Dual Feed	250	60
	ENC250-72-DF	Dual Feed	250	72
	ENC250-84-DF	Dual Feed	250	84
	ENC250-96-DF	Dual Feed	250	96
	ENC250-108-DF	Dual Feed	250	108

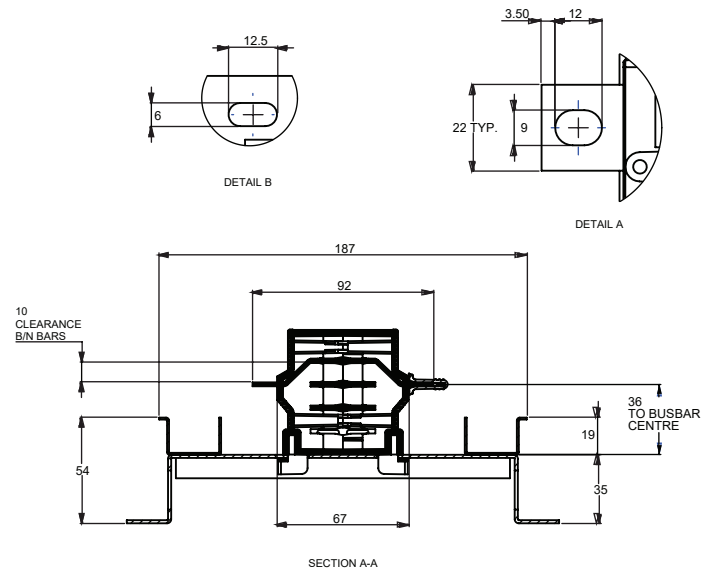


3 Phase Encapsulated Chassis ENC250 Range

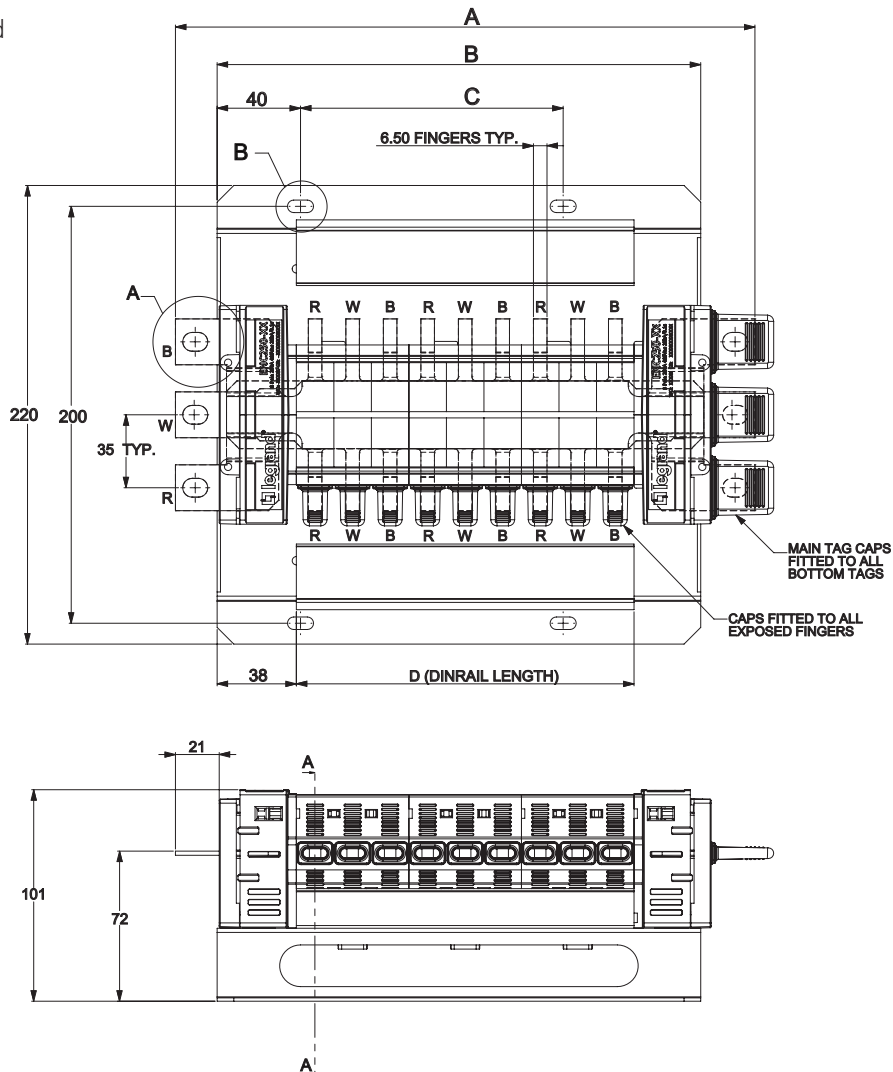


DIMENSIONS

REFERENCE NUMBER	NUMBER OF POLES	DIMENSIONS (mm)			
		A	B	C	D
ENC250-12-DF	12	224	178	72	108
ENC250-18-DF	18	278	232	126	162
ENC250-24-DF	24	332	286	180	216
ENC250-30-DF	30	386	340	234	270
ENC250-36-DF	36	440	394	288	324
ENC250-42-DF	42	494	448	342	378
ENC250-48-DF	48	548	502	396	432
ENC250-60-DF	60	656	610	504	540
ENC250-72-DF	72	764	718	612	648
ENC250-84-DF	84	872	826	720	756
ENC250-96-DF	96	980	934	828	864
ENC250-108-DF	108	1088	1042	936	972



Dual Feed

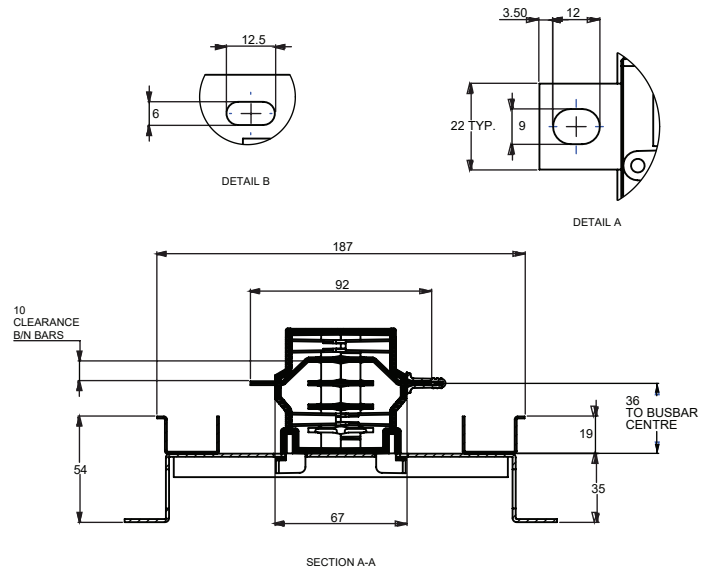


3 Phase Encapsulated Chassis ENC250 Range

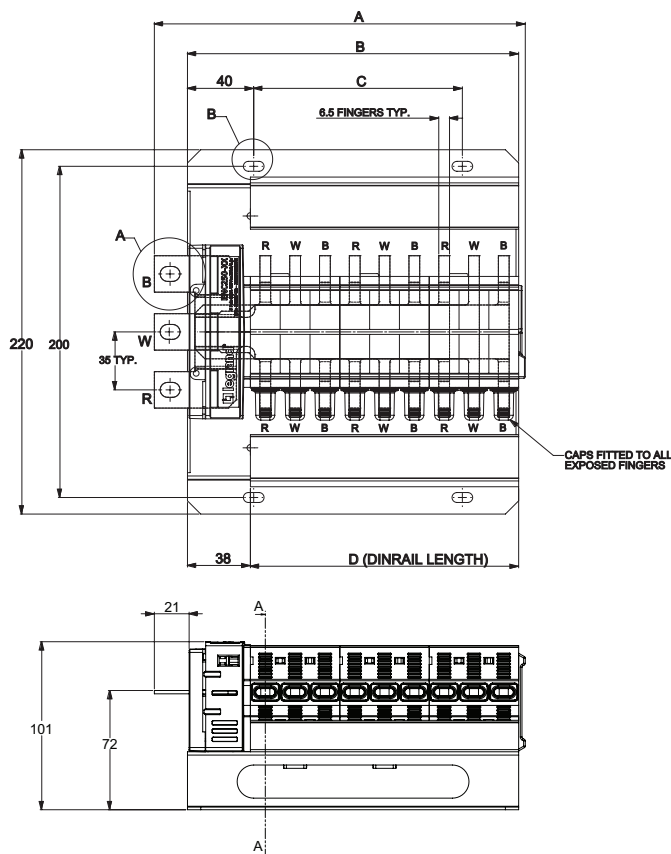


DIMENSIONS

REFERENCE NUMBER	NUMBER OF POLES	DIMENSIONS (mm)			
		A	B	C	D
ENC250-12	12	170	146	72	108
ENC250-18	18	224	200	126	162
ENC250-24	24	278	254	180	216
ENC250-30	30	332	308	234	270
ENC250-36	36	386	362	288	324
ENC250-42	42	440	416	342	378
ENC250-48	48	494	470	396	432
ENC250-60	60	602	578	504	540
ENC250-72	72	710	686	612	648
ENC250-84	84	818	794	720	756
ENC250-96	96	926	902	828	864
ENC250-108	108	1034	1010	936	972



Top Feed



Note: All dimensions are in mm.

Legrand Australia
1300 369 777
www.legrand.com.au
ABN 31 000 102 661

Legrand New Zealand
0800 476 009
www.legrand.co.nz

Refer to your group buying office, Legrand Sales Representative or Legrand Sales Office for pricing.

Please note: specifications are subject to change without prior notice.



LEI2530AA

10 / 2020